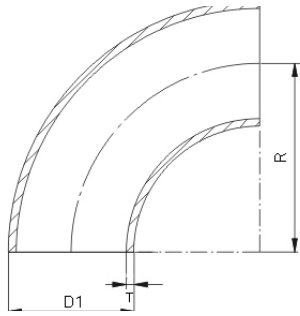


Lasbochten ASTM A-403 SR gelast en naadloos

	Maatvoering			D1	R	T	Gewicht
Lasbocht A-403, SR 90°	21.34 x 2.11	1/2"	SCH10S	21,34	23	2,11	0,04 kg
Lasbocht A-403, SR 90°	26.67 x 2.11	3/4"	SCH10S	26,67	24	2,11	0,05 kg
Lasbocht A-403, SR 90°	33.40 x 2.77	1"	SCH10S	33,40	25,4	2,77	0,11 kg
Lasbocht A-403, SR 90°	33.40 x 3.38	1"	SCH40S STD	33,40	25,4	3,38	0,13 kg
Lasbocht A-403, SR 90°	42.16 x 2.77	1.1/4"	SCH10S	42,16	31,8	2,77	0,15 kg
Lasbocht A-403, SR 90°	42.16 x 3.56	1.1/4"	SCH40S STD	42,16	31,8	3,56	0,20 kg
Lasbocht A-403, SR 90°	48.26 x 2.77	1.1/2"	SCH10S	48,26	38,1	2,77	0,22 kg
Lasbocht A-403, SR 90°	48.26 x 3.68	1.1/2"	SCH40S STD	48,26	38,1	3,68	0,30 kg
Lasbocht A-403, SR 90°	60.33 x 2.77	2"	SCH10S	60,33	50,8	2,77	0,38 kg
Lasbocht A-403, SR 90°	60.33 x 3.91	2"	SCH40S STD	60,33	50,8	3,91	0,53 kg
Lasbocht A-403, SR 90°	73.03 x 3.05	2.1/2"	SCH10S	73,03	63,5	3,05	0,62 kg
Lasbocht A-403, SR 90°	73.03 x 5.16	2.1/2"	SCH40S STD	73,03	63,5	5,16	1,06 kg
Lasbocht A-403, SR 90°	88.90 x 3.05	3"	SCH10S	88,90	76,2	3,05	0,90 kg
Lasbocht A-403, SR 90°	88.90 x 5.49	3"	SCH40S STD	88,90	76,2	5,49	1,62 kg
Lasbocht A-403, SR 90°	101.60 x 3.05	3.1/2"	SCH10S	101,60	88,9	3,05	1,23 kg
Lasbocht A-403, SR 90°	101.60 x 5.74	3.1/2"	SCH40S STD	101,60	88,9	5,74	2,37 kg
Lasbocht A-403, SR 90°	114.30 x 3.05	4"	SCH10S	114,30	101,6	3,05	1,55 kg
Lasbocht A-403, SR 90°	114.30 x 6.02	4"	SCH40S STD	114,30	101,6	6,02	3,10 kg
Lasbocht A-403, SR 90°	141.30 x 3.40	5"	SCH10S	141,30	127	3,40	2,69 kg
Lasbocht A-403, SR 90°	141.30 x 6.55	5"	SCH40S STD	141,30	127	6,55	5,30 kg
Lasbocht A-403, SR 90°	168.28 x 3.40	6"	SCH10S	168,28	152,4	3,40	3,85 kg
Lasbocht A-403, SR 90°	168.30 x 7.11	6"	SCH40S STD	168,28	152,4	7,11	8,48 kg
Lasbocht A-403, SR 90°	219.08 x 3.76	8"	SCH10S	219,08	203,2	3,76	7,42 kg
Lasbocht A-403, SR 90°	219.08 x 8.18	8"	SCH40S STD	219,08	203,2	8,18	16,24 kg
Lasbocht A-403, SR 90°	273.05 x 4.19	10"	SCH10S	273,05	254	4,19	13,36 kg
Lasbocht A-403, SR 90°	273.05 x 9.27	10"	SCH40S STD	273,05	254	9,27	28,80 kg
Lasbocht A-403, SR 90°	323.85 x 4.57	12"	SCH10S	323,85	304,8	4,57	22,40 kg
Lasbocht A-403, SR 90°	323.85 x 9.53	12"	SCH40S STD	323,85	304,8	9,53	43,20 kg
Lasbocht A-403, SR 90°	355.60 x 4.78	14"	SCH10S	355,60	355,6	4,78	29,60 kg
Lasbocht A-403, SR 90°	355.60 x 9.53	14"	SCH40S STD	355,60	355,6	9,53	58,40 kg
Lasbocht A-403, SR 90°	406.40 x 4.78	16"	SCH10S	406,40	406,4	4,78	38,40 kg
Lasbocht A-403, SR 90°	406.40 x 9.53	16"	SCH40S STD	406,40	406,4	9,53	76,00 kg
Lasbocht A-403, SR 90°	457.20 x 4.78	18"	SCH10S	457,20	457,2	4,78	48,80 kg
Lasbocht A-403, SR 90°	457.20 x 9.53	18"	SCH40S STD	457,20	457,2	9,53	96,80 kg
Lasbocht A-403, SR 90°	508.00 x 5.54	20"	SCH10S	508,00	508	5,54	72,40 kg



Lasbochten ASTM A-403 SR gelast en naadloos

	Maatvoering			D1	R	T	Gewicht
Lasbocht A-403, SR 90°	508.00 x 9.53	20"	SCH40S STD	508,00	508	9,53	120,00 kg
Lasbocht A-403, SR 90°	558.80 x 5.54	22"	SCH10S	558,80	558,8	5,54	88,00 kg
Lasbocht A-403, SR 90°	558.80 x 9.53	22"	SCH40S STD	558,80	558,8	9,53	144,80 kg
Lasbocht A-403, SR 90°	609.60 x 6.35	24"	SCH10S	609,60	609,6	6,35	121,60 kg
Lasbocht A-403, SR 90°	609.60 x 9.53	24"	SCH40S STD	609,60	609,6	9,53	172,80 kg