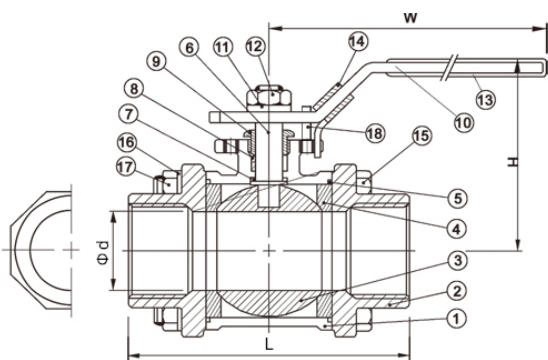




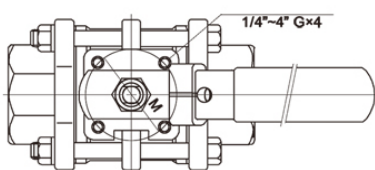
## hellebeuk

Technisch Handelsbureau



### Kogelkraan 3 delig volle doorlaat met Iso-Top

	Ød	L	H	W	ØM	G
3-delige kogelkraan FB LD las/las Iso Top 1/4"	12,8	59	51	95	36	M5
3-delige kogelkraan FB LD las/las Iso Top 3/8"	12,8	59	51	95	36	M5
3-delige kogelkraan FB LD las/las Iso Top 1/2"	15,0	64	55	95	36	M5
3-delige kogelkraan FB LD las/las Iso Top 3/4"	20,0	75	63	110	36	M5
3-delige kogelkraan FB LD las/las Iso Top 1"	25,0	85	74	135	42	M5
3-delige kogelkraan FB LD las/las Iso Top 1.1/4"	32,0	97	80	135	50	M6
3-delige kogelkraan FB LD las/las Iso Top 1.1/2"	38,0	110	92	175	50	M6
3-delige kogelkraan FB LD las/las Iso Top 2"	50,0	132	107	180	70	M8
3-delige kogelkraan FB LD las/las Iso Top 2.1/2"	65,0	167	128	250	70	M8
3-delige kogelkraan FB LD las/las Iso Top 3"	80,0	187	138	250	70	M8
3-delige kogelkraan FB LD las/las Iso Top 4"	100,0	230	180	300	102	M10



ITEM	PARTS	QTY	MATERIALS T2IM	MATERIALS T2IM-C
1	BODY	1	ASTM-A351-CF8M	ASTM-A2 16-WCB
2	CAP	2	ASTM-A351-CF8M	ASTM-A2 16-WCB
3	BALL	1	ASTM-A351-CF8M	ASTM-A351-CF8M
4	BALL SEAT	2	PTFE	PTFE
5	STEM	2	PTFE	PTFE
6	JOINT GASKET	1	AISI316	AISI316
7	THRUST WASH1ER	1	PTFE	PTFE
8	STEM PACK ING	2	PTFE	PTFE
9	GLAND NUT	1	AISI304	AISI304
10	HANDLE	1	AISI304	AISI304
11	STEM WASHER	1	AISI304	AISI304
12	STEM NUT	1	AISI304	AISI304
13	PLASTIC COVER	1	PLASTIC	PLASTIC
14	LOCK DEVICE	1	AISI304	AISI 304
15	BOLT	4(374'6PCS)	AISI304	AISI 304
16	SPRING WASHER	4(374'6PCS)	AISI304	AISI 304
17	HEX NUT	4(374'6PCS)	AISI304	AISI 304
18	STOP PIN	1	AISI304	AISI 304

