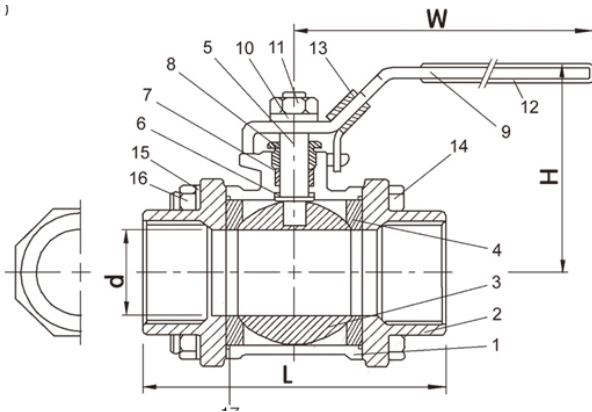




## hellebeuk

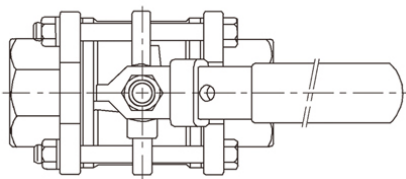
Technisch Handelsbureau

c)



### Kogelkraan 3 delig volle doorlaat

	d	L	H	W	Cv Factor	Kgf/cm
3-delige kogelkraan FB LD dr/dr 1/4"	12,8	59	51	95	6,6	40
3-delige kogelkraan FB LD dr/dr 3/8"	12,8	59	51	95	7,9	40
3-delige kogelkraan FB LD dr/dr 1/2"	15,0	64	55	95	11,2	54
3-delige kogelkraan FB LD dr/dr 3/4"	20,0	75	59	110	21,0	74
3-delige kogelkraan FB LD dr/dr 1"	25,0	85	73	135	34,0	104
3-delige kogelkraan FB LD dr/dr 1.1/4"	32,0	97	78	135	57,0	135
3-delige kogelkraan FB LD dr/dr 1.1/2"	38,0	110	91	147	80,0	180
3-delige kogelkraan FB LD dr/dr 2"	50,0	132	99	165	148,0	250
3-delige kogelkraan FB LD dr/dr 2.1/2"	65,0	167	130	215	265,0	500
3-delige kogelkraan FB LD dr/dr 3"	80,0	187	142	215	415,0	770
3-delige kogelkraan FB LD dr/dr 4"	100,0	230	174	310	780,0	1100



ITEM	PARTS	QTY	MATERIALS T2IM	MATERIALS T2IM-C
1	BODY	1	ASTM-A351-CF8M	ASTM-A216-WCB
2	CAP	2	ASTM-A351-CF8M	ASTM-A216-WCB
3	BALL	1	ASTM-A351-CF8M	ASTM-A351-CF8M
4	BALL SEAT	2	PTFE	PTFE
5	STEM	1	AISI 316	AISI 316
6	THRUST WASHER	1	PTFE	PTFE
7	STEM PACKING	2	PTFE	PTFE
8	GLAND NUT	1	PTFE	AISI 304
9	HANDLE	1	AISI304	AISI 304
10	STEM WASHER	1	AISI304	AISI 304
11	STEM NUT	1	AISI304	AISI 304
12	PLASTIC COVER	1	PLASTIC	PLAST IC
13	LOCK DEVICE	1	AISI304	AISI 304
14	BOLT	4-6	AISI 304	AISI304
15	SPRING WASHER	4-6	AISI 304	AISI 304
16	HEX NUT	4-6	AISI 304	AISI304
17	JOINT GASKET	2	PTFE	PTFE

